



www.ictgroup.com.tw

Coin Hopper
JMH
Installation Guide



International Currency Technologies Corp.

Use of Materials Limitations

International Currency Technologies Corporation (ICT) all rights reserved.

All materials contained are the copyrighted property of ICT.

All trademarks, service marks, and trade names are proprietary to ICT.

ICT reserves the right at all times to disclose or to modify any information as ICT deems necessary to satisfy any applicable law, regulation, legal process or governmental request, or to edit, refuse to post or to remove any information or materials, in whole or in part, in ICT's sole discretion.

Contents

- 1. Introduction**
 - 1-1. Overview.....2
 - 1-2. Features.....2
- 2. Specifications.....2**
- 3. Packing List.....3**
- 4. Dimension.....4**
 - 4-1. Adjustment Coin Dimensions.....5
- 5. Installation**
 - 5-1. With Motor control board Connection.....6
 - 5-2. Without Motor control board Connection.....7
 - 5-3. I/O Circuit.....8
 - 5-4. Credit Output Setting.....9
- 6. Maintenance.....10**

1. Introduction

1-1. Overview

JMH Coin Hopper is a single denomination coin dispensing unit. Users can adjust coin dimension with different coin adjustment points. The design of JMH Coin Hopper is easy operated, trouble-free and high reliable.

1-2. Features

- Double sensors, double protection.
- Easy maintenance.
- Easy installation.
- Coin size adjustable.
- Advanced low level coin detection.
- Compact design with enormous capacity.

2. Specifications

General

Dispensing Speed	13 coins/second
Counting Method	Obstruct Sensor
Interface	Hopper Mode
Installation	Indoor

Electrical

Power Source	24V DC(22.8~25.2V DC)
Power Consumption	5V DC- Standby: 70mA, 0.4W 24V DC- Standby: N/A Operation: 0.9A, 20.4W Maximum: 7A, N/A
Operation Environment	Storage Temperature: -20°C~70°C Operating Temperature: 0°C~55°C Humidity: 20%~90% RH(no condensation)

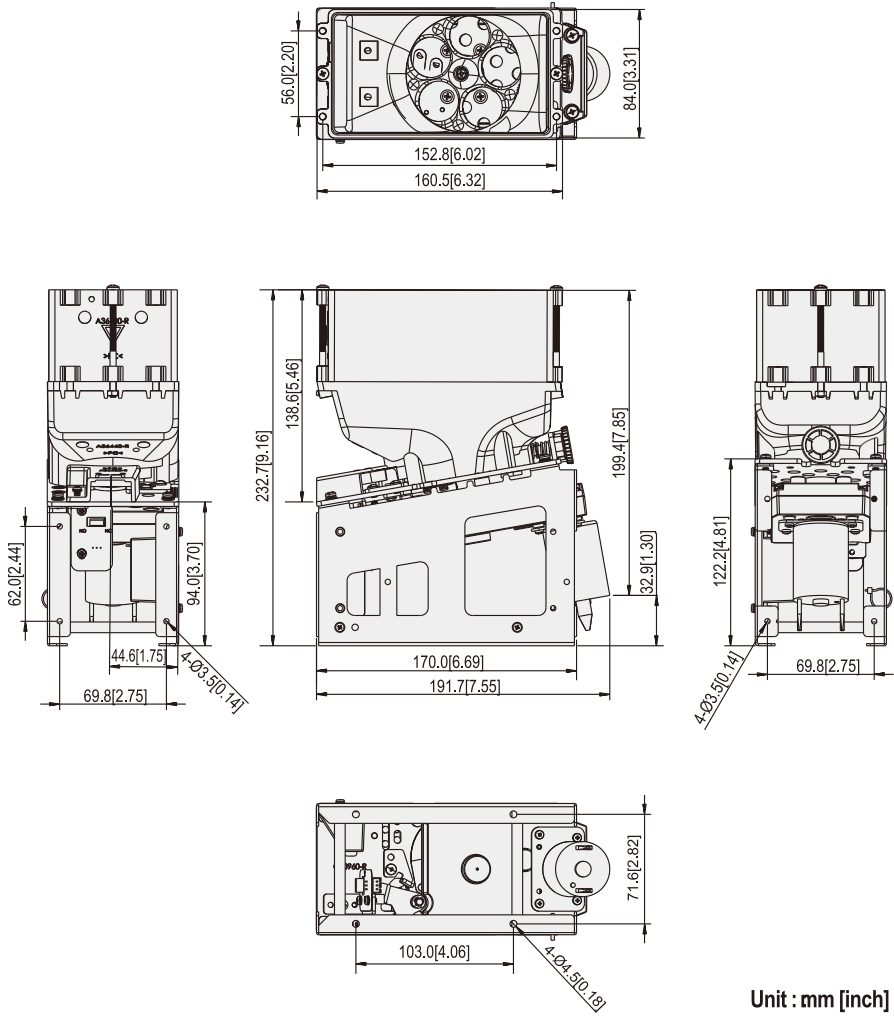
Mechanical

Coin Capacity (coins)	Coin Box- Approx.300~350
Applicable Coin Size	(Diameter) 21.0mm~ 26mm (Thickness) 1.6mm~ 2.3mm
Low Level Coin detection	Optional
Weight	Approx. 2.3kg
Outline dimension	Refer to page.4

3. Packing List

Main	JMH Coin Hopper
Accessory	Harness: Refer to 5-1. JMH Coin Hopper Installation Guide

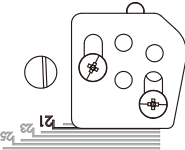
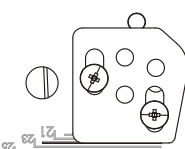
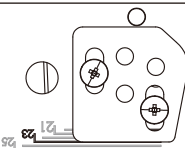
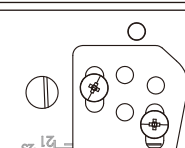
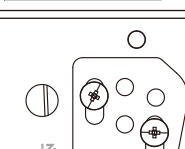
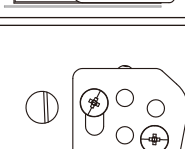
4. Dimension



Unit : mm [inch]
4 FIG.01

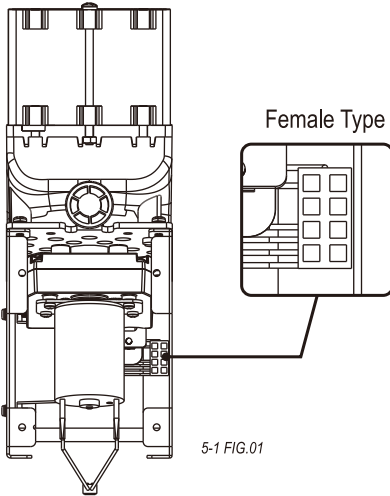
4-1. Adjustment Coin Dimensions

4-1 TABLE 01

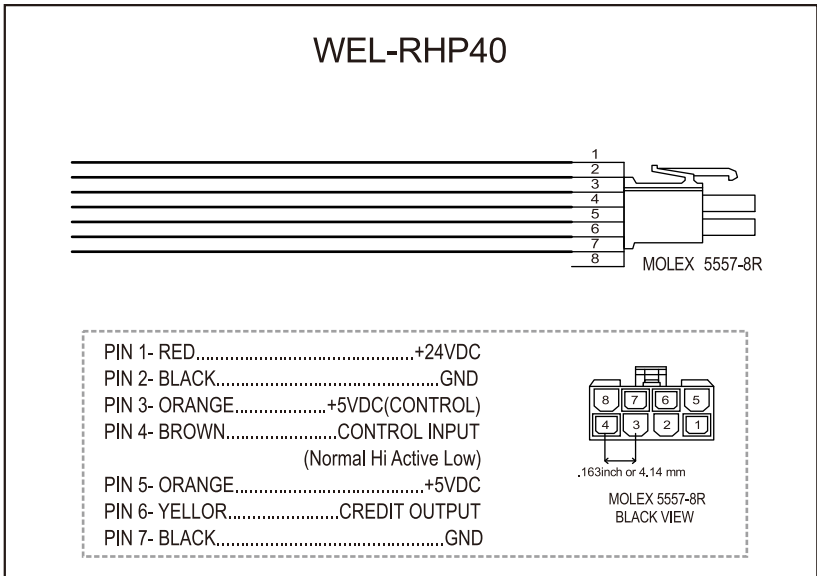
Coin Payout Adjustment	Applicable Coin Size		
	21mm	Diameter	21mm~21.5mm
		thickness	1.6mm~2.3mm
	22mm	Diameter	21.5mm~22.5mm
		thickness	1.6mm~2.3mm
	23mm	Diameter	22.5mm~23.5mm
		thickness	1.6mm~2.3mm
	24mm	Diameter	23.5mm~24.5mm
		thickness	1.6mm~2.3mm
	25mm	Diameter	24.5mm~25.5mm
		thickness	1.6mm~2.3mm
	26mm	Diameter	25.5mm~26mm
		thickness	1.6mm~2.3mm

5. Installation

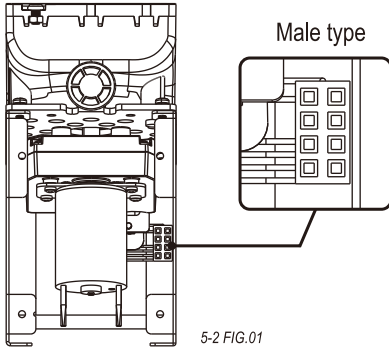
5-1. With Motor control board Connection



5-1 FIG.02



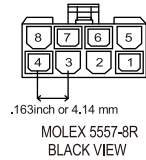
5-2. Without Motor control board Connection



5-2 FIG.01

5-2 FIG.02

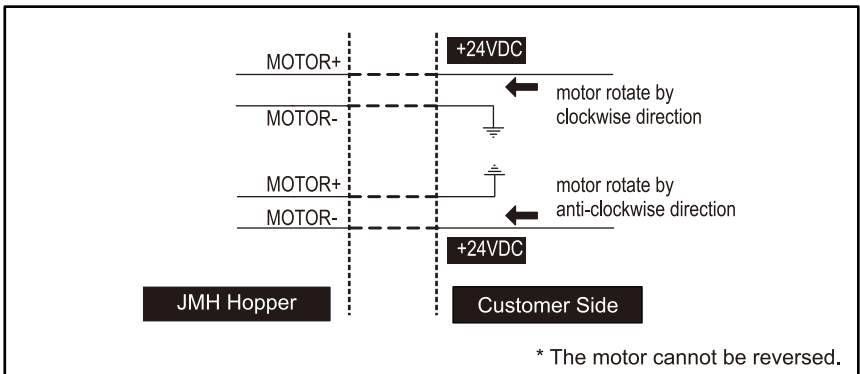
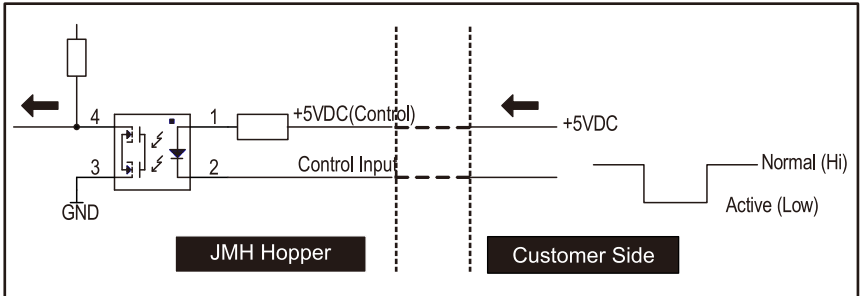
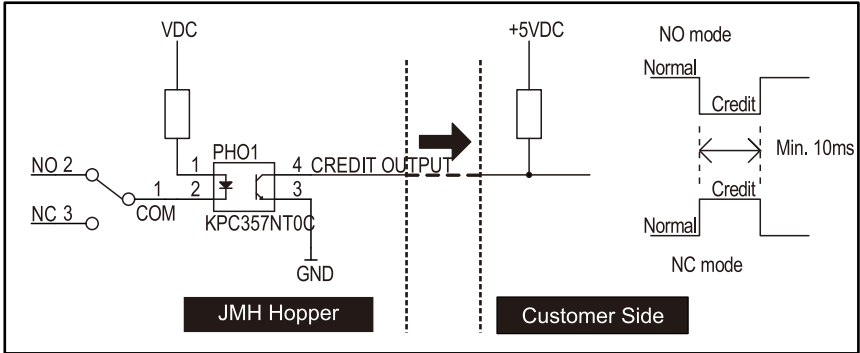
PIN 4- RED.....MOTOR POWER+
 PIN 5- ORANGE.....SENSOR VCCS +5V
 PIN 6- BLACK.....SENSOR GND
 PIN 7- YELLOW.....CREDIT OUTPUT
 PIN 8- WHITE.....MOTOR POWER-



5-3. I/O Circuit

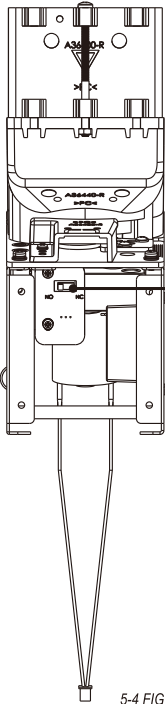
Hopper Interface.

5-3 FIG.01



* The motor cannot be reversed.

5-4. Credit Output Setting



5-4 FIG.01

5-4 TABLE 01

Credit Output Setup	
N.C	Normal Low
★ N.O	Normal High

(★) Default



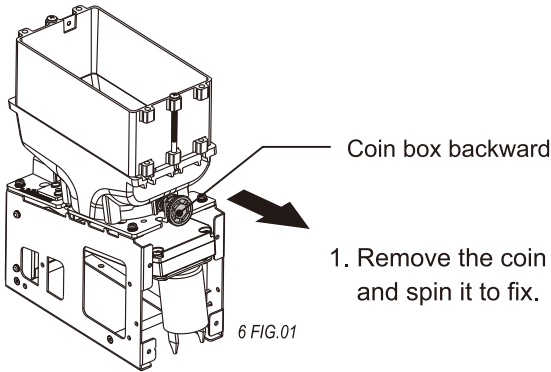
Please setup credit voltage according to input voltage, the default value is suggested; for exceptions, please contact ICT.

6. Maintenance

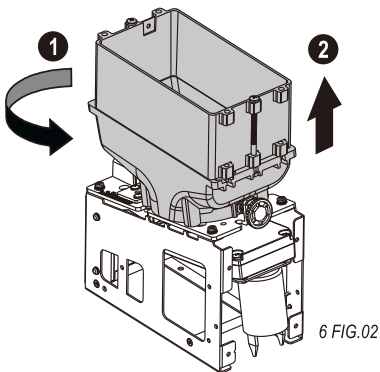
To make sure JMH Coin Hopper always works smoothly, please clean the internal parts from every two weeks to every two months.

 Please make sure JMH Coin Hopper is OFF before cleaning.

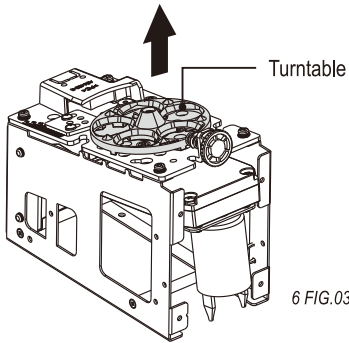
To clean the internal parts:



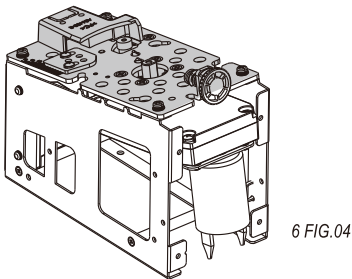
1. Remove the coin box backward and spin it to fix.




2. Spin the coin box anticlockwisely to take it out upward.



3. Use a cross-head screw driver to take the turntable out.



4. Use a soft brush or low-pressure air to clean dust on the panel .

	Maintenance Notice	
	<i>(Any improper maintenance will result invalid warranty.)</i>	
	Recommended	Mild, non-abrasive, soap water.
	DO NOT USE	Organic solvent , Alcohol, Volatility liquid.

ict Taiwan

International Currency Technologies Corporation

No.28, Ln. 15, Sec. 6, Minguan E. Rd., Neihu Dist., Taipei City 114, Taiwan

sales@ictgroup.com.tw (For Sales)

fae@ictgroup.com.tw (For Customer Service)

Website: www.ictgroup.com.tw

