



(Korea Type)
Bill Acceptor

NK77

Installation Guide



Use of Materials Limitations

International Currency Technologies Corporation (ICT) all rights reserved.

All materials contained are the copyrighted property of ICT.

All trademarks, service marks, and trade names are proprietary to ICT.

ICT reserves the right at all times to disclose or to modify any information as ICT deems necessary to satisfy any applicable law, regulation, legal process or governmental request, or to edit, refuse to post or to remove any information or materials, in whole or in part, in ICT's sole discretion.

Contents

1. Introduction.....	2
1-1. Overview.....	2
1-2. Features.....	2
2. Specifications.....	2
General.....	2
Electrical.....	3
Mechanical.....	3
3. Packing List.....	3
4. Dimension.....	4
5. Installation.....	6
5-1. Pin Assignment.....	6
5-1-1. I/O Circuit.....	7
5-2. DIP Switch Setting.....	8
5-3. Software Download and Upgrade.....	8
6. Maintenance.....	9
7. Troubleshooting.....	10

1. Introduction

1-1. Overview

NK77 features a high currency verification and recognition with new verification unit to be a new generation bill acceptor.

1-2. Features

- Four way bill insertion acceptable.
- High transaction speed.
- Highlight LED Bezel.

2. Specifications

General

Acceptance Rate 96% or greater

Note: The incomplete bills such as extremely dirty, wet, broken or wrinkled ones are excluded.

Bill Insertion Four way acceptable

Transaction Speed Approx. 2 seconds to stack

Interface Pulse, Parallel, RS232

Installation Indoor & Outdoor

Electrical

Power Source 12V DC (10.8V~13.2V DC)

Power Consumption Standby :0.2 A, 2.4W
Operation: 1.41A, 17 W
Maximum: 1.5 A, 18 W

Operation Environment Operation Temperature: -10°C~60°C
Storage Temperature : -20°C~70°C
Humidity: 30%~85%RH
(no condensation)

Mechanical

Outline Dimension Refer to page.4

Weight Approx. 0.76 kg

Bill Accepted Width 68 mm~72 mm

Bill Accepted Length W 1000 : 133 mm~138 mm
W 5000 : 139 mm~144 mm
W10000 : 145 mm~150 mm
W50000 : 150 mm~157 mm

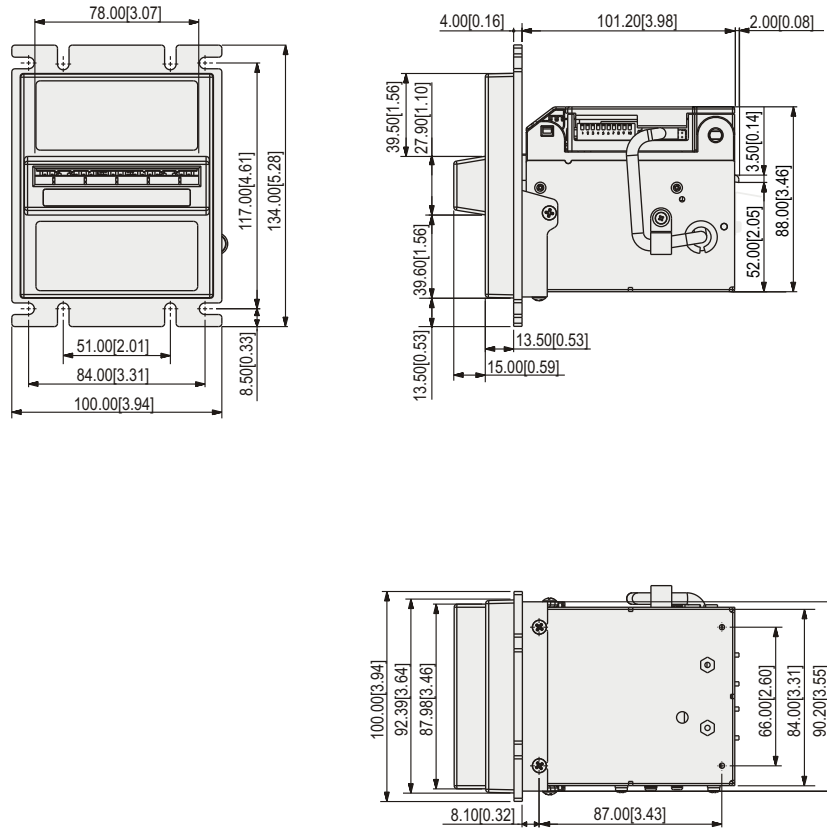
3. Packing List

Main Bill Acceptor

Accessory NK77 Installation Guide
NK77 DIP Switch Setting Guide

4. Dimension

Figure.1



Unit:mm[inch]



To install the bill acceptor on your VMC, please be aware of the dimension as below:

[L] : Longer than the maximum length of accepted bills.

[L1] : Bill box capacity depth.

* [L/2] has to be longer than 70mm to open upper base.

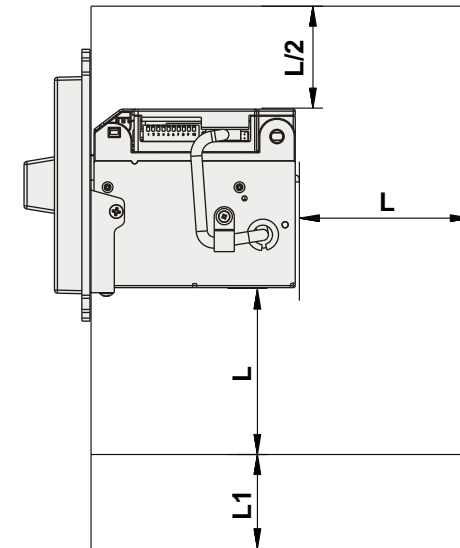


Figure 2

5. Installation

5-1. PIN Assignment

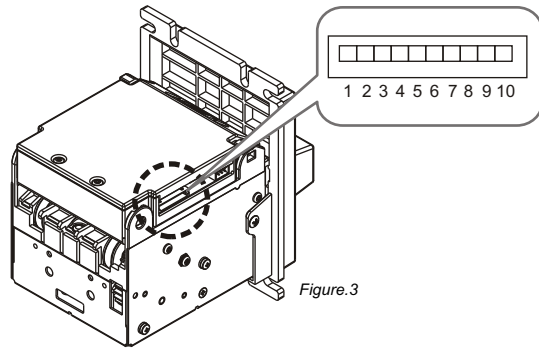
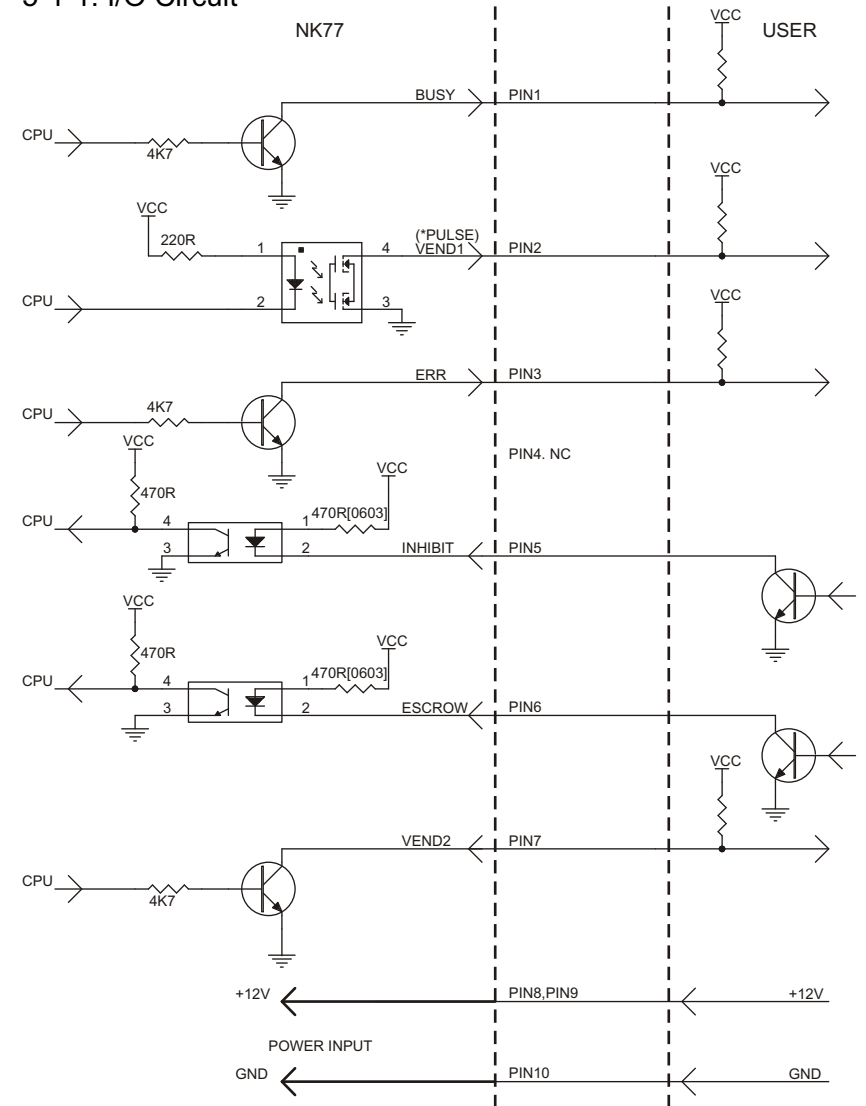


Figure.3

PIN	Function
1	BUSY
2	VEND1
3	ERR
4	NC
5	INHIBIT
6	ESCROW
7	VEND2
8	+12V
9	+12V
10	GND

5-1-1. I/O Circuit

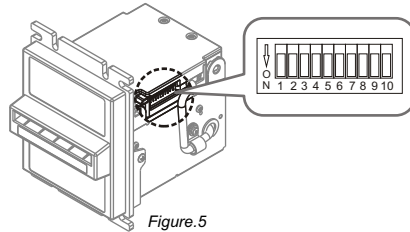
Figure.4



5-2. DIP Switch Setting

There's a serial DIP switches which is located on the side of NK77 (as figure 5). According to different currencies or interfaces which are used by users, DIP switch settings could be varied to fit users' need.

Please refer to "NK77 DIP Switch Setting" Guide in the package for more detail.



5-3. Software Download and Upgrade

To download and upgrade the software to NK77, the programmer (FP-001) is needed.

Please contact ICT to purchase FP-001 and refer to FP-001 user guide for software download and upgrade information.

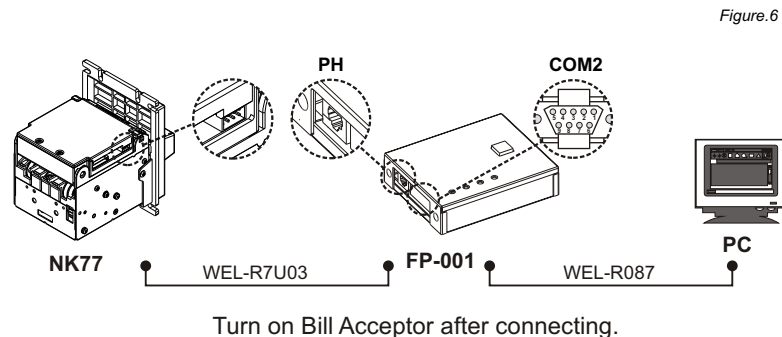


Figure.6

6. Maintenance

To make sure the bill acceptor always works smoothly, please clean the internal parts regularly.

To clean the internal parts:

1. Press the buttons on the sides of bill path and lift the unit up.
2. Use a soft, dry cloth or towel to clean the bill path and sensors.

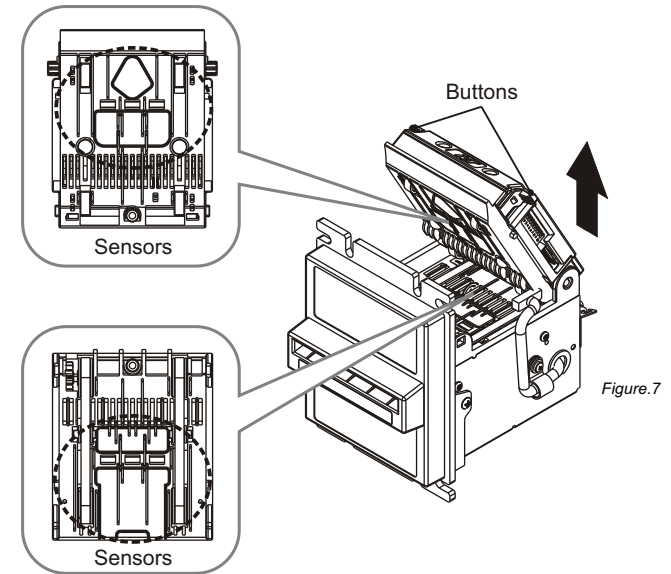


Figure.7

Maintenance Notice
(Any improper maintenance will result invalid warranty.)

	Recommended	Mild, non-abrasive, soap water.
	DO NOT USE	Organic solvent, Alcohol, Volatility liquid.

7. Troubleshooting

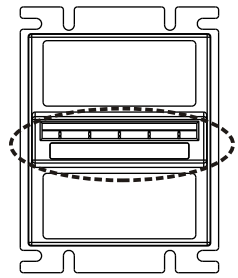


Figure.8

LED

Table.2

Flashes		Status	Corrective Actions
Red	Green		
N/A	ON	Standby.	N/A
1	1	Bill jammed.	Check bill path and remove the jammed bill.
2	1	BA inhibit.	Check inhibit signal and dip switch setting.
3	N/A	Verification sensor error.	Inspect for foreign objects on sensor and clean.
3	2	Hook sensor error.	Inspect for foreign objects on sensor and clean.
3	4	Output sensor error.	Inspect for foreign objects on sensor and clean.
4	1	A stringing attempt has detected.	Inspect for foreign objects on bill path and clean.
7	1	Motor error.	Inspect for foreign objects on bill path and clean.



If the error can not be solved after corrective actions or happen again, please contact ICT for technical support.

ict Taiwan

International Currency Technologies Corporation

Ji-Hong Building, No 24, Alley 38, Lane 91, Nei-hu Rd., Sec. 1, Taipei, Taiwan, R.O.C.

Tel: 886-2-2797-1238 · Fax: 886-2-2797-1634

sales@ictgroup.com.tw (For Sales)

rma@ictgroup.com.tw (For Customer Service)

Website: www.ictgroup.com.tw