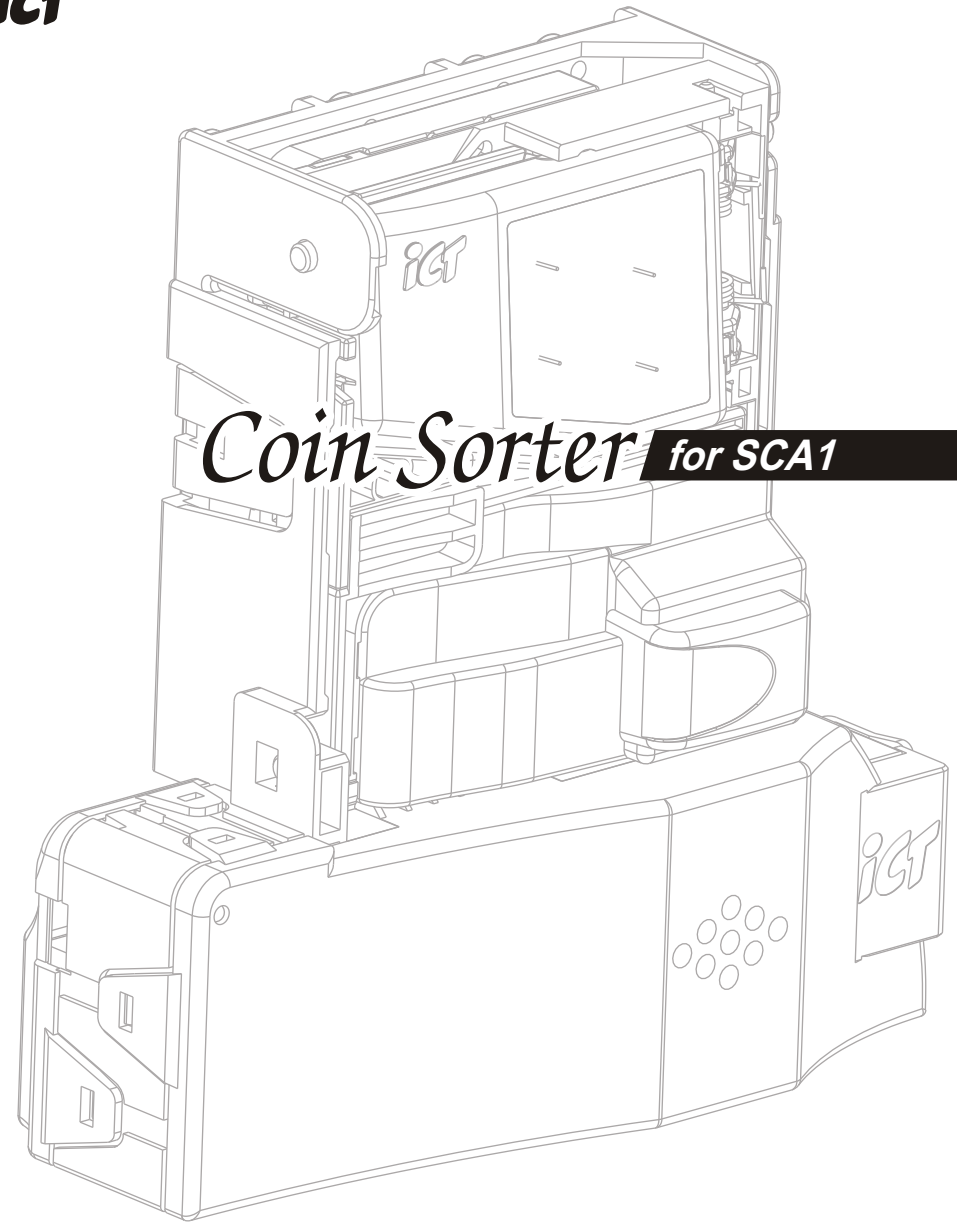
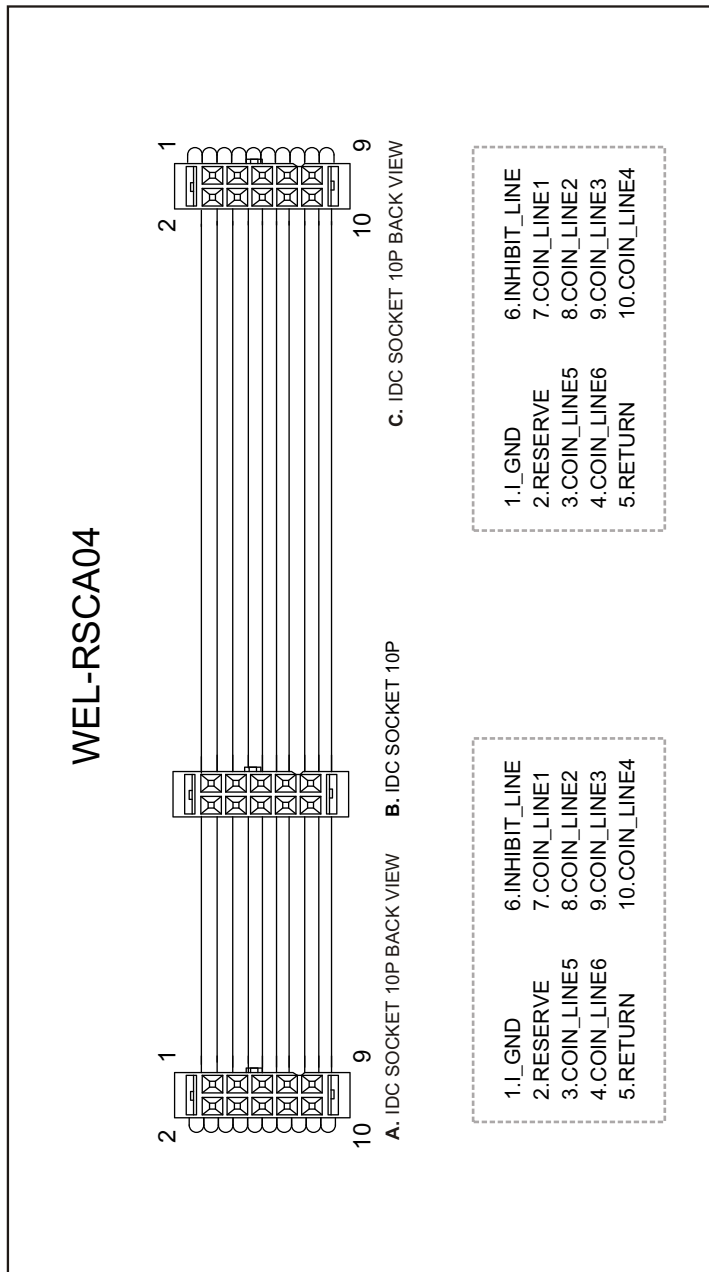
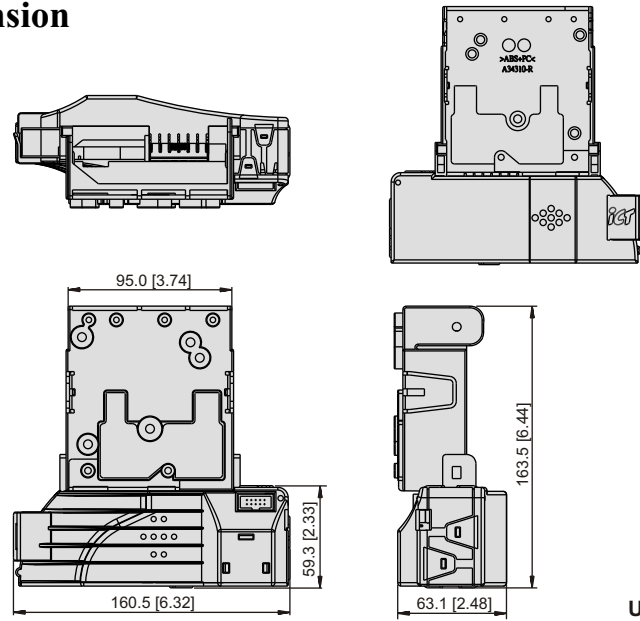


Figure.5



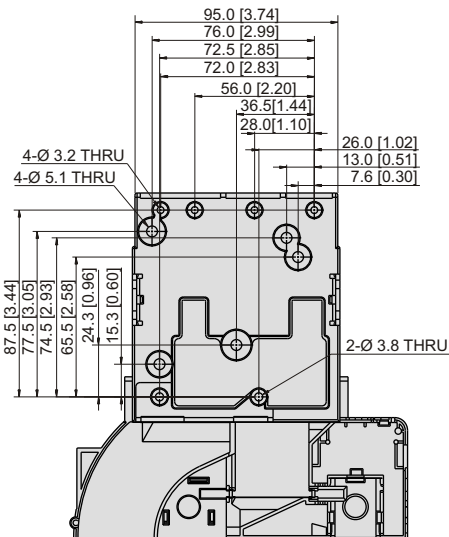
1. Dimension

Figure.1



Unit : mm[inch]

Figure.2



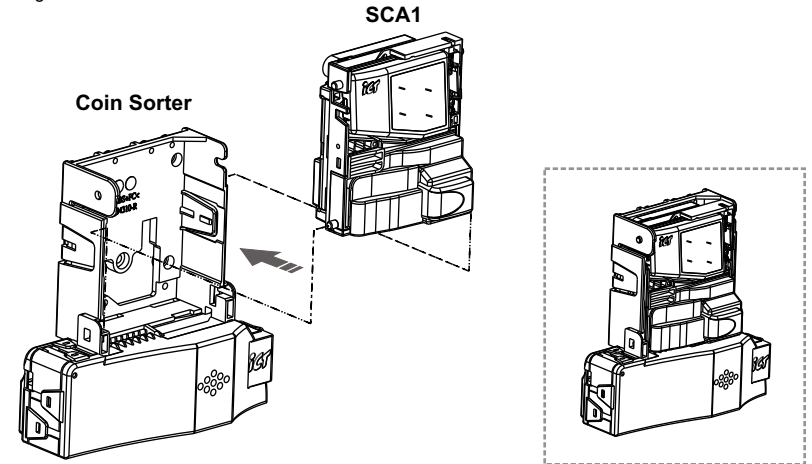
Unit : mm[inch]

2. Installation

2-1. How to install Coin Sorter on SCA1?

1. Combine Coin Sorter with SCA1 as figure.3.

Figure.3



2. Connect Coin Sorter to SCA1 with WEL-RSCA04 (as Page.3, Figure.5).

Figure.4

