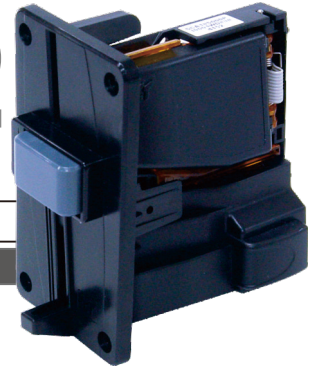




SCA2 Series

Coin Acceptor

Installation Guide



Use of Materials Limitations

International Currency Technologies Corporation (ICT) all rights reserved.

All materials contained are the copyrighted property of ICT.

All trademarks, service marks, and trade names are proprietary to ICT.

ICT reserves the right at all times to disclose or to modify any information as ICT deems necessary to satisfy any applicable law, regulation, legal process or governmental request, or to edit, refuse to post or to remove any information or materials, in whole or in part, in ICT's sole discretion.

Contents

1. Introduction	
1-1. Overview.....	2
1-2. Features.....	2
2. Specifications.....	2
3. Packing List.....	3
4. Dimension.....	4
5. Installation	
5-1. How to Install SCA2 in the machine.....	6
5-1-1. Top Entry, Bottom Reject.....	6
5-1-2. Front Entry, Front Reject.....	7
5-2. Connector & PIN Assignment.....	9
5-2-1. Connector.....	9
5-2-2. PIN Assignment.....	10
5-3. Harness Application.....	12
5-4. I/O Circuits.....	17
5-5. DIP Switch Setting.....	20
6. Maintenance.....	21
7. Troubleshooting.....	23
8. Coin Sorter for SCA2 Top Entry(Optional).....	24

1. Introduction

1-1. Overview

SCA2 is designed as a reliable coin acceptor which is able to work steadily for high-security with acceptance rate 96% or greater and high accepting speed to provide you the most convenient service.

1-2. Features

- 8 channels available at once.
- Mechanical anti-string function.
- High acceptance rate 96% or greater.
- High accepting speed up to 2 coins per second.
- Equipped with the advanced anti-counterfeit technology.

2. Specifications

General

Coin Parameters	Diameter : 17~28mm Thickness: 1.5~2.4mm
Accepting Speed	<Pulse> 2 coins / 1 sec <Parallel> 2 coins / 1 sec <RS232> 2 coins / 1 sec

Acceptance Rate	96% or greater
Interface	Parallel, Pulse, RS232

Electrical

Power Source	+10V~16V DC
Power Consumption	Standby: 0.1A (1.2W) Operation: 0.4A (4.8W) Maximum: 0.5A (6W)

Operation Environment	Operation Temperature: -10°C~55°C (<i>Temperature Change: Max.0.2°C/min</i>) Storage Temperature: -25°C~70°C Humidity: 30%~85%RH(no condensation)
------------------------------	--------------------------------------------------------------------------------------------------------------------------------------------------------------

Mechanical

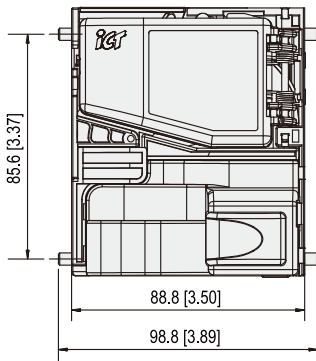
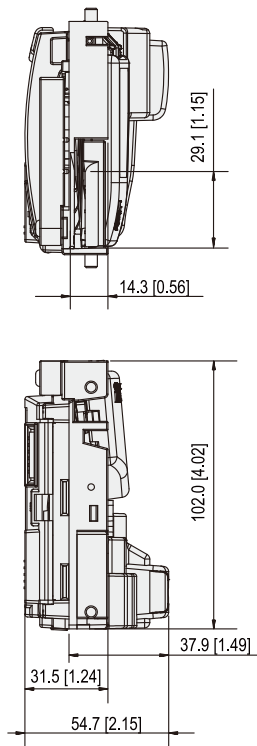
Outline Dimension	Refer to Page.4 & 5
Installation	Vertical, Max. Deviation: ±2°
Weight	Approx. 0.25kg (<i>Net Weight</i>)

3. Packing List

Main	SCA2 Coin Acceptor
Accessory	Harness: Refer to Page.12 SCA2 Installation Guide

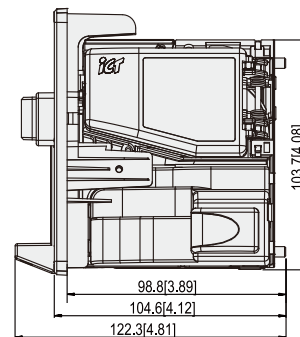
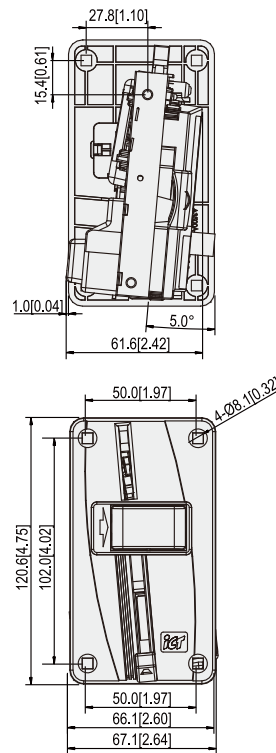
4. Dimension

Top Entry, Bottom Reject



Unit : mm [inch]
4 FIG.01

Front Entry, Front Reject



Unit : mm [inch]
4 FIG.02

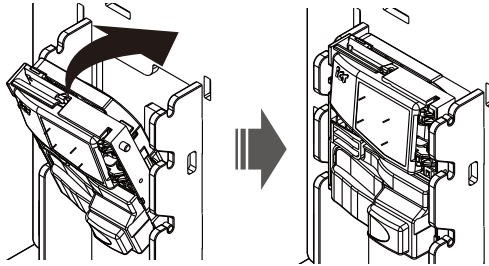
5. Installation

5-1. How to install SCA2 in the machine?

5-1-1. Top Entry, Bottom Reject

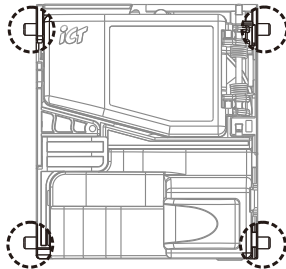
To install SCA2 in the machine, we suggest you to hang SCA2 in the machine (as FIG.01-1) using the lateral mounting studs (as FIG.01-2).

5-1-1 FIG.01-1



5-1-1 FIG.01-2

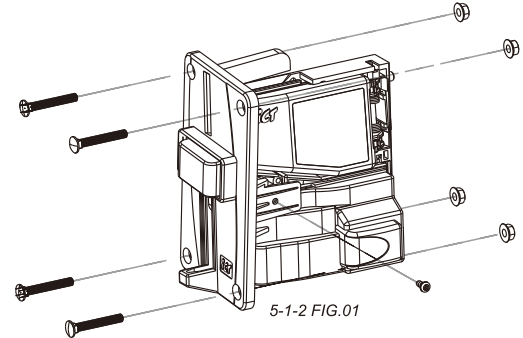
Mounting studs



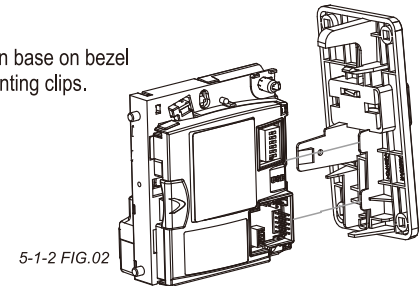
5-1-2. Front Entry, Front Reject

Please follow the steps as below.

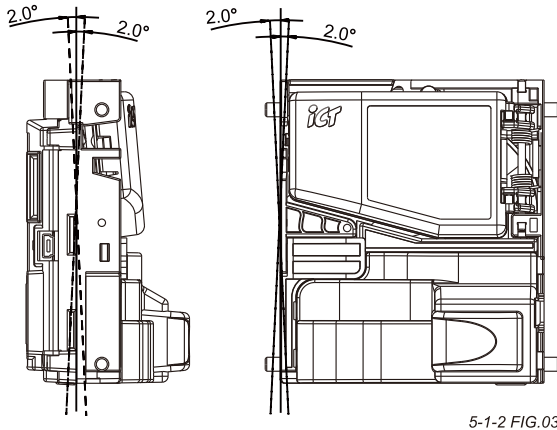
1. Use four screws to fix bezel on the machine.



2. Fix main base on bezel by mounting clips.



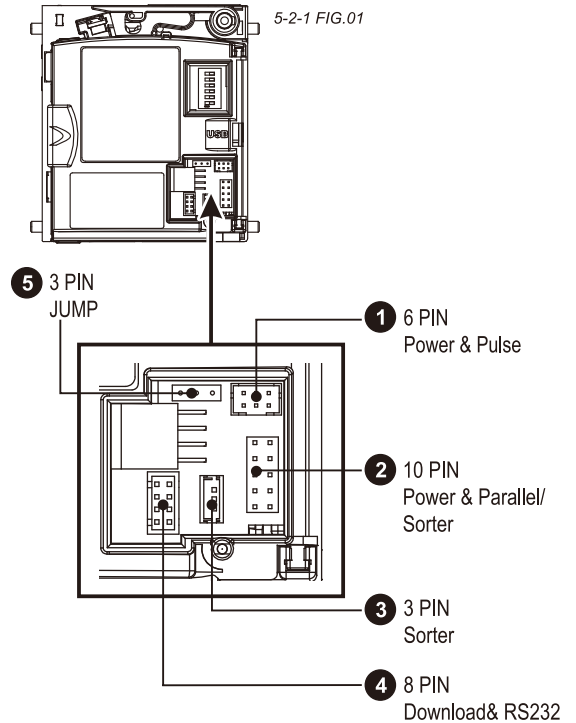
 The deviation of SCA2 should be less than 2°.



5-1-2 FIG.03

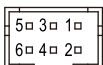
5-2. Connector & PIN Assignment

5-2-1. Connector



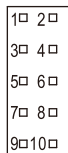
5-2-2. PIN Assignment

(1) 6 PIN Power & Pulse



PIN 1- +10~16V DC VIN
 PIN 2- GND
 PIN 3- INHIBIT
 PIN 4- X
 PIN 5- IMPULSE
 PIN 6- X

(2) 10 PIN Power & Parallel/Sorter



Power & Parallel

PIN 1- I_GND	PIN 6- INHIBIT
PIN 2- +10~16V DC VIN	PIN 7- COIN_LINE1
PIN 3- COIN_LINE5	PIN 8- COIN_LINE2
PIN 4- COIN_LINE6	PIN 9- COIN_LINE3
PIN 5- RETURN	PIN 10- COIN_LINE4

10 PIN Sorter

PIN 1- I_GND	PIN 6- N/A
PIN 2- +10~16V DC VIN	PIN 7- N/A
PIN 3- COIN_LINE5	PIN 8- N/A
PIN 4- COIN_LINE6	PIN 9- N/A
PIN 5- N/A	PIN 10- N/A

(3) 3 PIN Sorter



PIN 1- SORTER_SOL1
 PIN 2- SORTER_SOL2
 PIN 3- SORTER

(4) 8 PIN Download & RS232



PIN 1- GND	PIN 5- /RESET
PIN 2- TX22	PIN 6- +5V
PIN 3- RX22	PIN 7- RX11
PIN 4- PROGRAM	PIN 8- Tx11

(5) 3 PIN JUMP INHIBIT



Short PIN 1~2-Inhibit Normal High
 Short PIN 2~3-Inhibit Normal Low

 Please contact ICT FAE for more details.

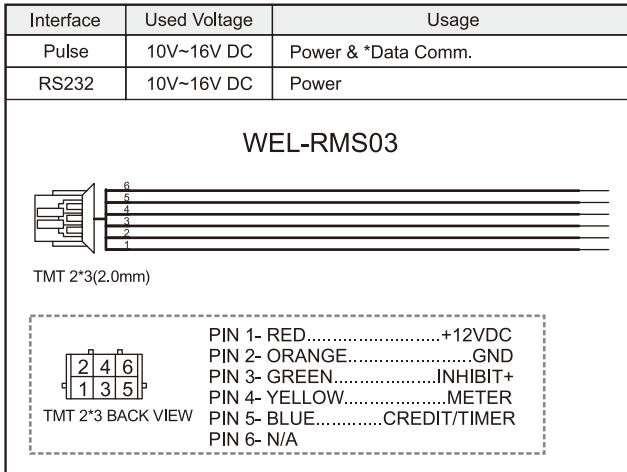
5-3. Harness Application

5-3 TABLE 01

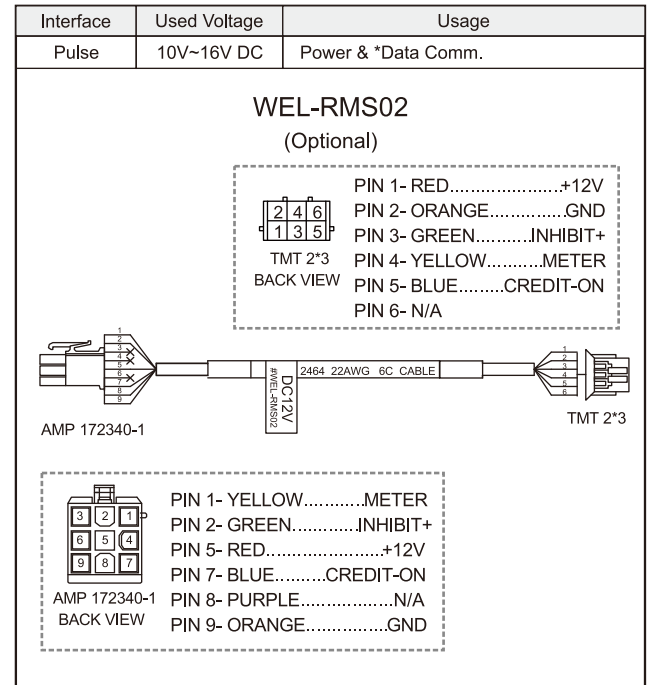
Interface	Used Voltage	Usage	Harness	Page
Pulse	10V~16V DC	Power & *Data Comm.	WEL-RMS03	12
		Power & *Data Comm.	WEL-RMS02(Optional)	13
		Extension Wire	CU-R961-1(Optional)	14
RS232	10V~16V DC	Power	WEL-RMS03	12
	+5V TTL	*Data Comm.	WEL-R7U06-2	15
Parallel	12V DC	Power & *Data Comm.	IDC-RA10400	16

*Data Comm.: Data Communication.

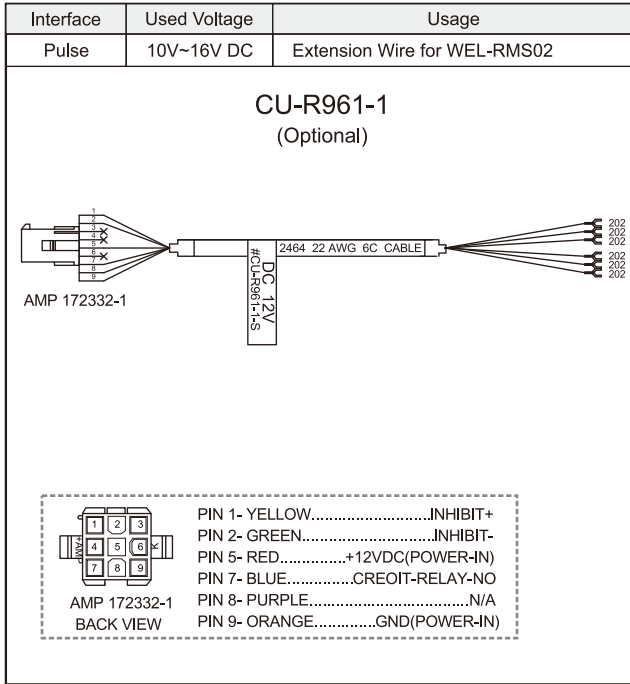
5-3 FIG.01



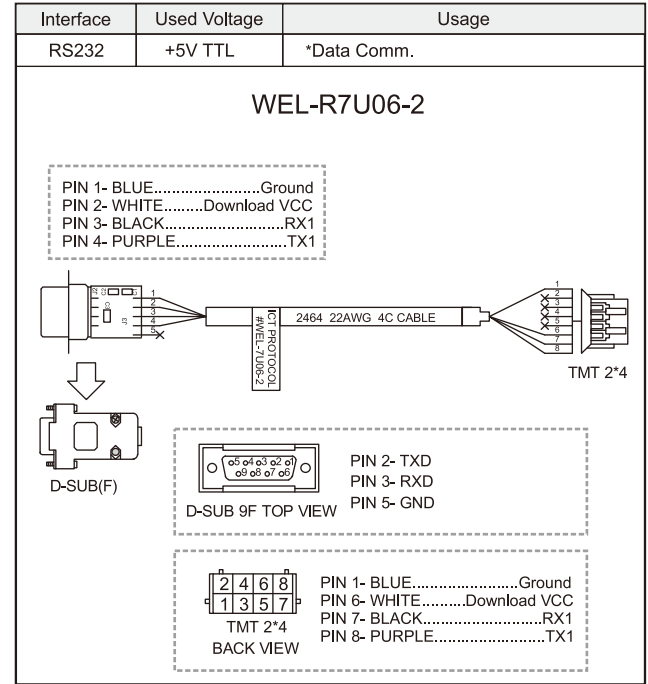
5-3 FIG.02



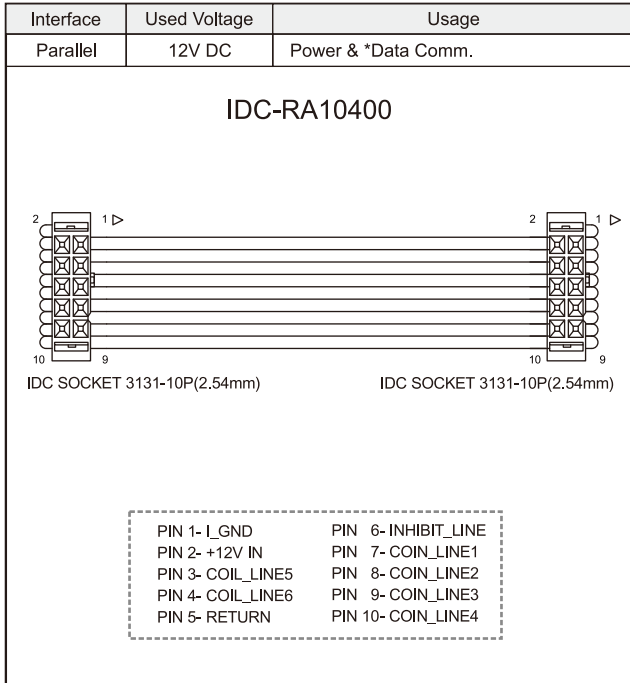
5-3 FIG.03



5-3 FIG.04



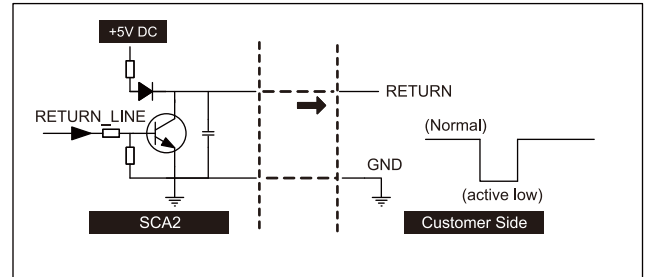
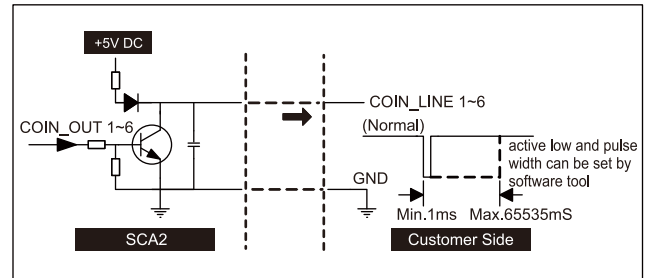
5-3 FIG.05



5-4. I/O Circuits

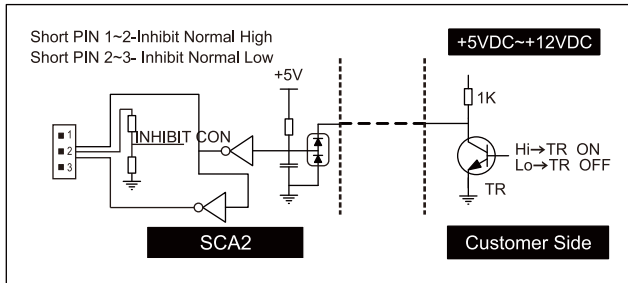
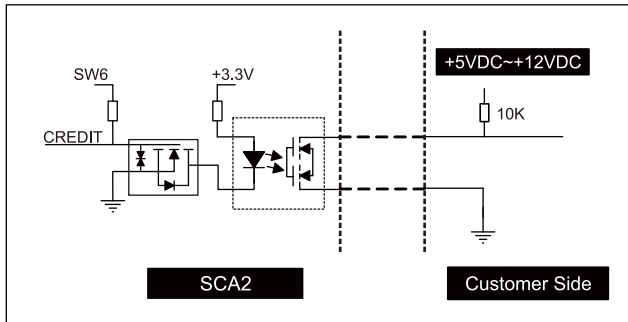
Parallel Interface

5-4 FIG.01



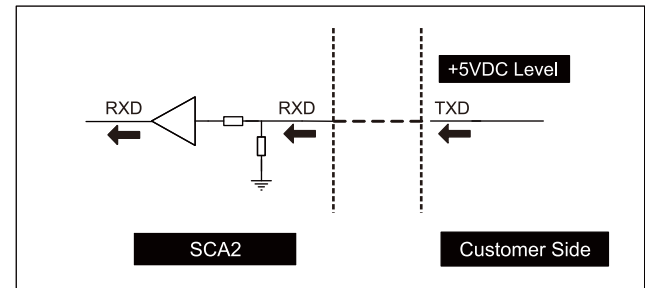
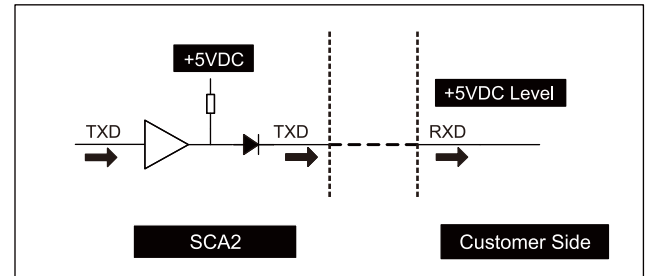
Pulse Interface

5-4 FIG.02



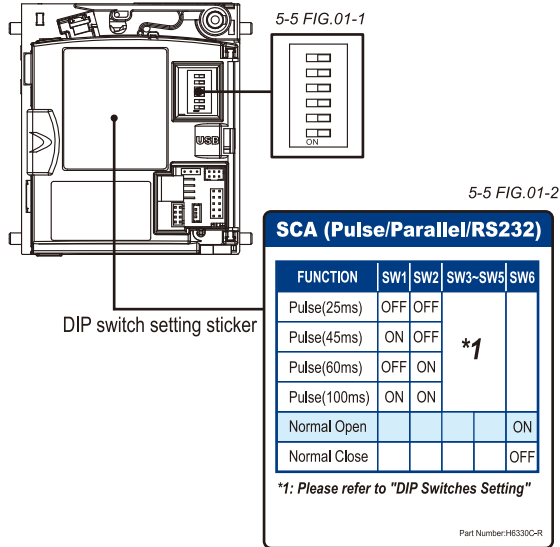
RS232 Interface

5-4 FIG.03



5-5. DIP Switch Setting

The DIP switches are located on the side of SCA2 which are designed for coin channel setting, users can select coin accepting or reject by setup the DIP switches(as FIG.01-1). For DIP switch setting which fits your need, please refer to the sticker(as FIG.01-2) next to DIP switches on SCA2.

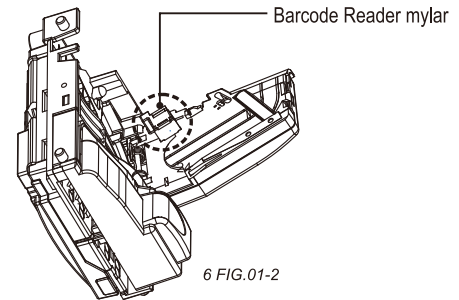
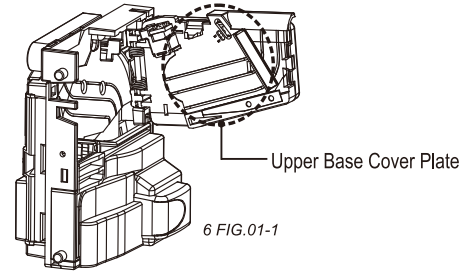


6. Maintenance

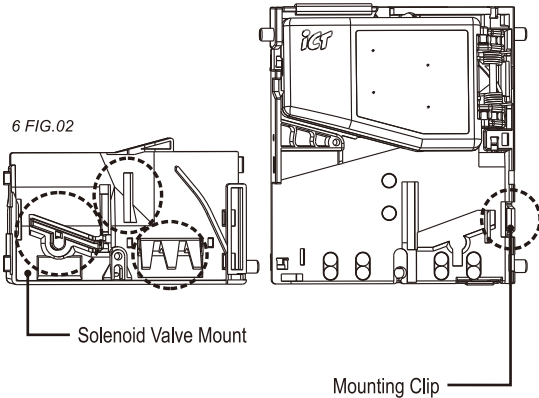
To make sure SCA2 coin acceptor always works smoothly, please clean the internal sensors regularly.

To clean the internal sensors:

1. Open cover plate of upper base, hold it to open, and then use a soft, dry cloth, or towel to clean sensors(as FIG.01-1) .

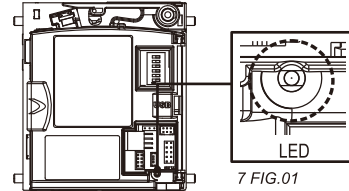


2. Release the mounting clip and remove the Solenoid Valve Mount, and then clean the internal parts with a soft, dry cloth, or towel (as FIG.02).



	Maintenance Notice (Any improper maintenance will invalidate the warranty.)	
	Recommended	Mild, non-abrasive, soap water.
	DO NOT USE	Organic solvent , Alcohol, Volatility liquid.

7. Troubleshooting



7 TABLE 01

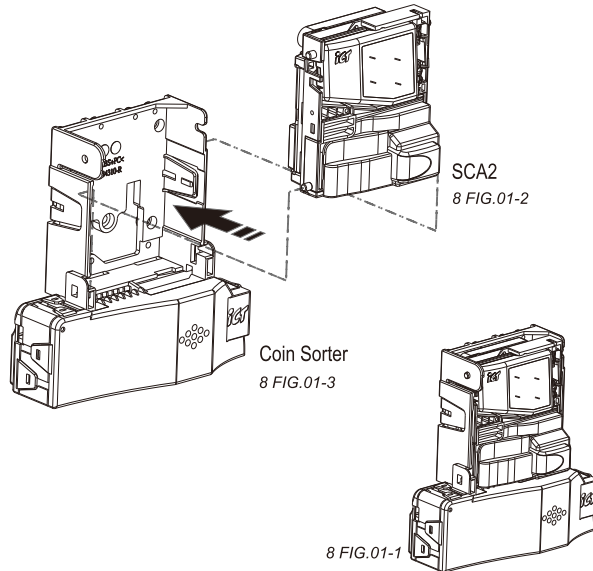
LED Flashes			Status	Corrective Actions
Green	Orange	Red		
ON	N/A	N/A	Power ON	N/A
N/A	ON	N/A	INHIBIT	N/A
N/A	Flashes	N/A	I/O Test Mode	N/A
N/A	N/A	1	First coil set error	Call ICT or agents for technical support.
N/A	N/A	2	Second coil set error	
N/A	N/A	3	Fish sensor error	Inspect for foreign objects in coin path and clean.
N/A	N/A	4	Drop sensor error	
N/A	N/A	5	Return sensor error	
N/A	N/A	6	IR sensor error	
N/A	N/A	7	Program error	Call ICT or agents for technical support.
N/A	N/A	8	ID Code error	
N/A	N/A	9	BarCode error	
N/A	N/A	Fast 2	A Stringing attempt has been detected.	Inspect for foreign objects in coin path and clean.

	If the error cannot be solved after corrective actions or it recurs, please contact ICT for technical support.
--	-----------------------------------------------------------------------------------------------------------------------

8. Coin Sorter for SCA2 Top Entry (optional)

The coin sorter is designed for combining with SCA2 coin acceptor. It can sort up for four different coins at the same time while accepting multiple coins from SCA2.

For purchasing Coin Sorter for SCA2, please contact ICT.



ict Taiwan

International Currency Technologies Corporation

No.28, Ln. 15, Sec. 6, Minquan E. Rd., Neihu Dist., Taipei City 114, Taiwan (R.O.C.)

sales@ictgroup.com.tw (For Sales)

rma@ictgroup.com.tw (For Customer Service)

Website: www.ictgroup.com.tw



SCA2 works with ICT coin sorter under 12V(10~16V) only.